

Technical Specification
Optical Fiber Cable Distribution Box

MCR ODB-10ZX



MCR GROUP, INC.

Contents

- 1. General.....3
 - 1.1 Description.....3
 - 1.2 Standards Comply.....3
 - 1.3 Applications Environment.....3
- 2. Characteristics.....4
- 3. Specifications.....4
 - 3.1 Mechanical specifications.....4
- 4. Configuration.....4
- 5.Product Picture.....5
- 6.Environmental characteristics.....5
- 7. Installation:5
 - 1. Wall-mounted installation5
- 8.Package.....5

MCR GROUP, INC.

1. General

1.1 Description

The equipment is used as a termination point for the feeder cable to connect with drop cable in FTTx communication network system. The fiber splicing, splitting, distribution can be done in this box, and meanwhile it provides solid protection and management for the FTTx network building.

Production type	Classification
MCR ODB-10ZX	Optical fiber cable distribution box



Appearance of MCR ODB-10ZX

1.2 Standards Comply

The production offered by FTTXTECH are designed, manufactured and tested according to the standards as follows:

ITU-T G.652	Characteristics of a single-mode optical fibre
IEC 60794-1-1	Optical fibre cables-part 1-1: Generic specification-General
IEC 60794-1-2	Optical fibre cables-part 1-2: Generic specification-Basic optical cable test procedure

1.3 Applications Environment

Item	Value
Operation temperature	-40 °C~+65 °C
Installation temperature	-5 °C~+40 °C
Storage temperature	-40°C~+65 °C
Atmospheric pressure	70~106Kpa
Relative humidity	≤93%(+40°C)

MCR GROUP, INC.

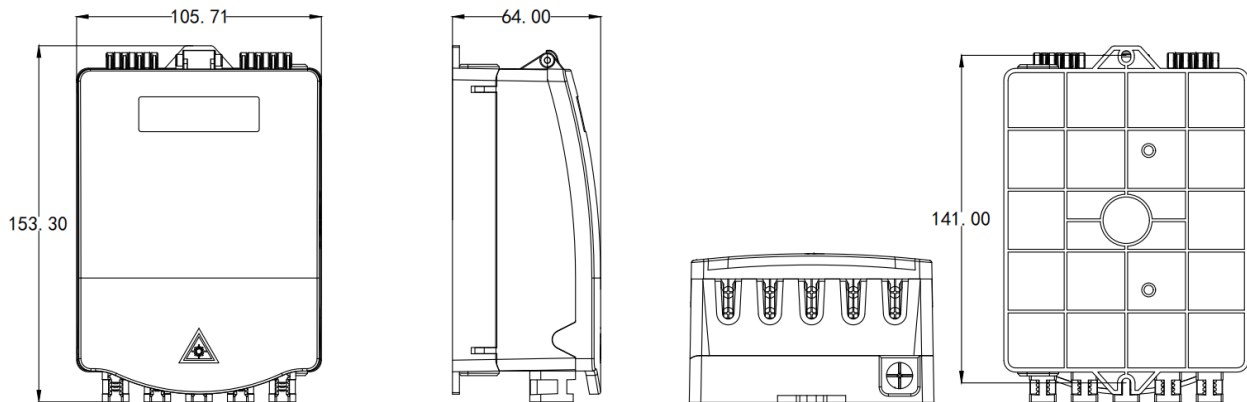
2. Characteristics

- Total enclosed structure.
- Material: PC+ABS, wet-proof, water-proof, dust-proof, anti-aging, protection level up to IP54.
- Clamping for feeder cable and drop cable, fiber splicing, fixation, storage, distribution...etc all in one.
- Cable, pigtails, patch cords are running through own path without disturbing each other, cassette type SC adaptor installation, easy maintenance.
- Distribution panel can be flipped up, feeder cable can be placed in a cup-joint way, easy for maintenance and installation.
- Cabinet can be installed by the way of wall-mounted .

3. Specifications

3.1 Mechanical specifications

Item	Specifications	Remark
External dimension(mm)	153*106*64	
Installation hole position(mm)	141	
Color	PANTONE 428C	Customizable
Size and quantity of optical cable hole	Optical cable straight through without cutting	
Input type/type of output	SC adapter	
Capacity(Max)	12 cores	
Into the largest cable diameter (mm)	∅12	
Cable outlet size(mm)	2*3~∅5	
IP protection level	IP54	
Flammability	HB(Conventional)	can be customized according to requirements
Neutral salt spray test (NSS)	24 h	

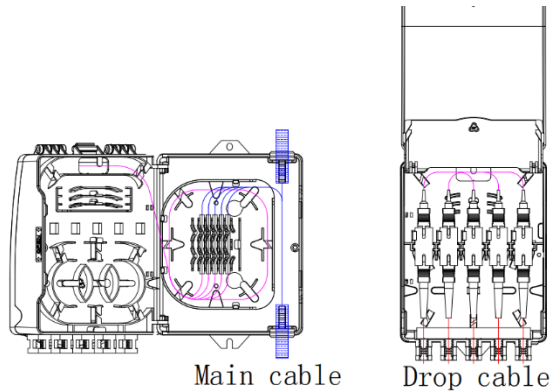


4. Configuration

Main parts

Part name	Unit	Quantity	Note
1*8 PLC Splitter	pcs	1	
SC adapter	pcs	8	

5. Product Picture



MCR ODB-10ZX product picture

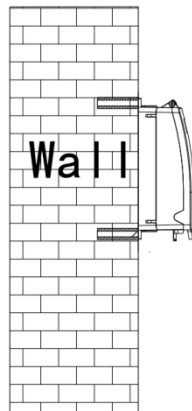
6. Environmental characteristics

This product complies with the RoHS environmental protection directive, and the content of lead, cadmium, mercury, hexavalent chromium, polybrominated biphenyl (PBB) and polybrominated diphenyl ether (PBDE) does not exceed the limit.

7. Installation:

1. Wall-mounted installation

Drill 2 holes into the wall based on the size in table 1, place the expansion bolt $\Phi 8*40$, place the box to match up the holes and use bolt to fasten.



Wall mounted installation

8. Package

1 PC in a bubble bag, 220*200mm ;

1 PC in a small carton, 163*111*68mm, gross weight is 0.35 kg ;

40 PCS in a big corrugated carton, 465*340*360 mm, gross weight is 15 kg.